

NFP-Cxx Conventional Fire Alarm Control Panel



Features :

- 3.2 inch touchscreen display readout with wide viewing angle
- On-screen LED indicators and control switches
- Programmable zone inputs
- Each zone has a separate disable function
- Programmable wet contact relay outputs
- Fire Alarm and Fault wet contact relay outputs
- Auxiliary dry contact relay output
- 2 A power supply / battery charger
- Power-limited design
- Real time clock
- Compact, stylish enclosure
- Installer friendly, removable equipment chassis

Description :

The NFP - Conventional Fire Alarm Control panel is microcontroller based and contains the system instruction set in its firmware program and system memory. The NFP contains all the necessary I/O ports to allow it to communicate with all other system components directly including the human operator.

The operator interface consists of a touchscreen display, with on-screen 5 system status LEDs, 5 system control switches and 1 local status buzzer. The display and the 5 system status LEDs communicate the latest system status information to the operator. The system status LEDs are labeled as Power, Drill, Silence, Pre/Alarm, and Fault. The local buzzer audibly attracts the operator's attention during status change occurrences.

The NFP equip with a loop controller which allows it to communicate with module devices (5IN-5OUT module interface). The loop connection uses a proprietary protocol operating over 24 VDC.

Three typical form A contact 24 VDC wet outputs provide the NFP with the ability to supervise and activate notification appliances. The wet outputs are also capable of supervising and operating solenoid

devices for release purposes. Each output is individually programmable for various purposes.

Typical form C dry contact output provide the NFP with the ability of controlling various functions in protected areas through the use of dry contact. This dry contact output may be programmed to operate on any alarm, or process related status condition. The dry contact output is programmable.

The remote annunciator output provide the NFP with the ability to interface to remote annunciator. The annunciator connection is a proprietary protocol operating over a RS-485 style communication bus.

Software Features :

- Menu-driven programming
- On-site programmable custom labels
- Historical even logs
- Disablement configuration
- Test Mode one-person system testing
- Each zone can be routed to any output (up to 3 output) with different programmable delay

Specifications :

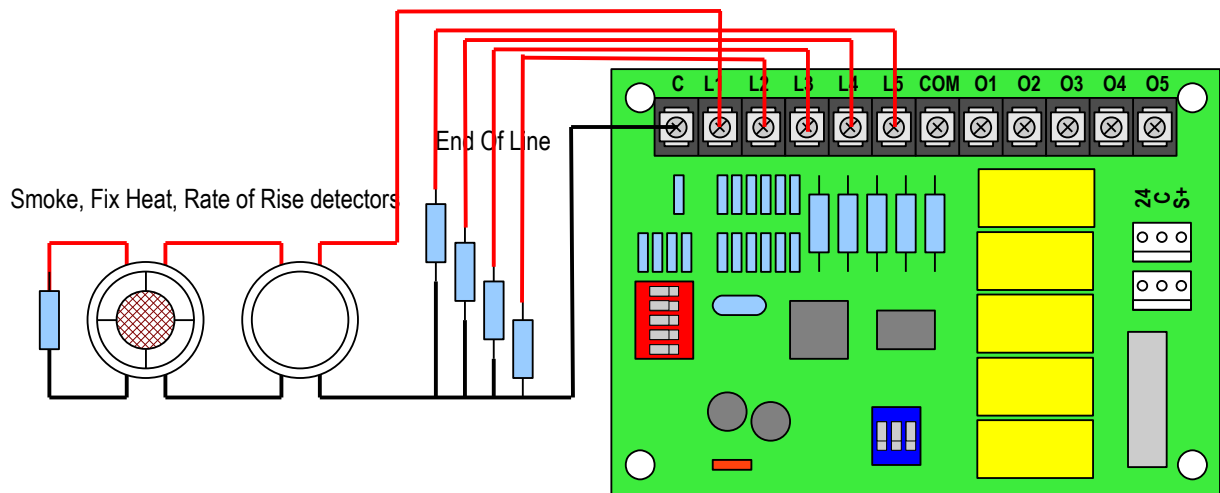
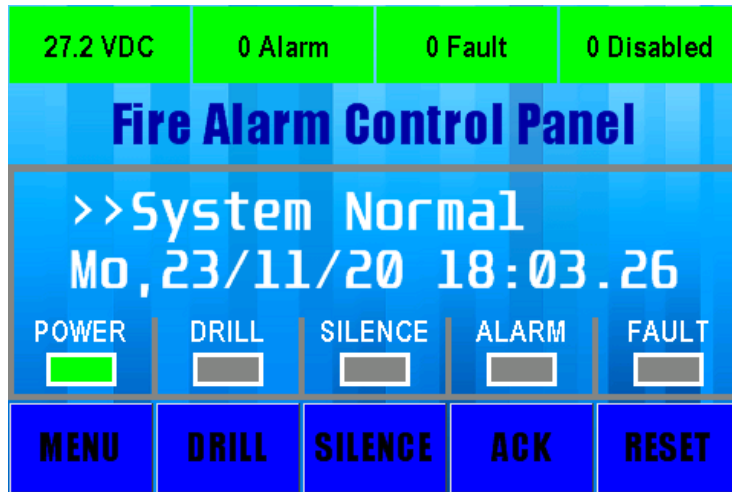
DESCRIPTION	
Power	220 VAC 50/60Hz
Battery Capacity	24 VDC / up to 7A
Charging Voltage and Current	27.2 VDC ; 100mA ~ 400 mA
Loop Voltage and Current	24 VDC ; 40 mA
Number of Zone	NFP-C05 – 5 zone NFP-C10 – 10 zone NFP-C15 – 15 zone NFP-C20 – 20 zone NFP-Cxx – up to 50 zone by design
# of Detector Connected (Heat)	Mechanical – up to design Electronic – max. 18 Devices per Zone
# of Detector Connected (Smoke)	Max. 18 Devices per Zone
Zone End Of Line Device	4k7 / 10 kΩ Resistor
Detector verification time delay	0 – 45 seconds (5 seconds increment)
Sounder Alarm Outputs	# of zones x 200mA @ 24 VDC
Sounder Activation Delay	0 – 2 minutes (20 seconds increment)
Sounder End Of Line Device	4k7 / 10 kΩ Resistor
Auxiliary Output	1 x Relay (1A Max), Dry contact
Auxiliary Fault Output	1 x Relay (1A Max), @ 24VDC
Auxiliary Alarm Output	1 x Relay (1A Max), @ 24VDC
Housing	1 mm steel plate
Housing Size	280 x 400 x 120 mm
Top Cable Entries	4 x 30 mm dia knock outs
Bottom Cable Entries	4 x 30 mm dia knock outs

Note :

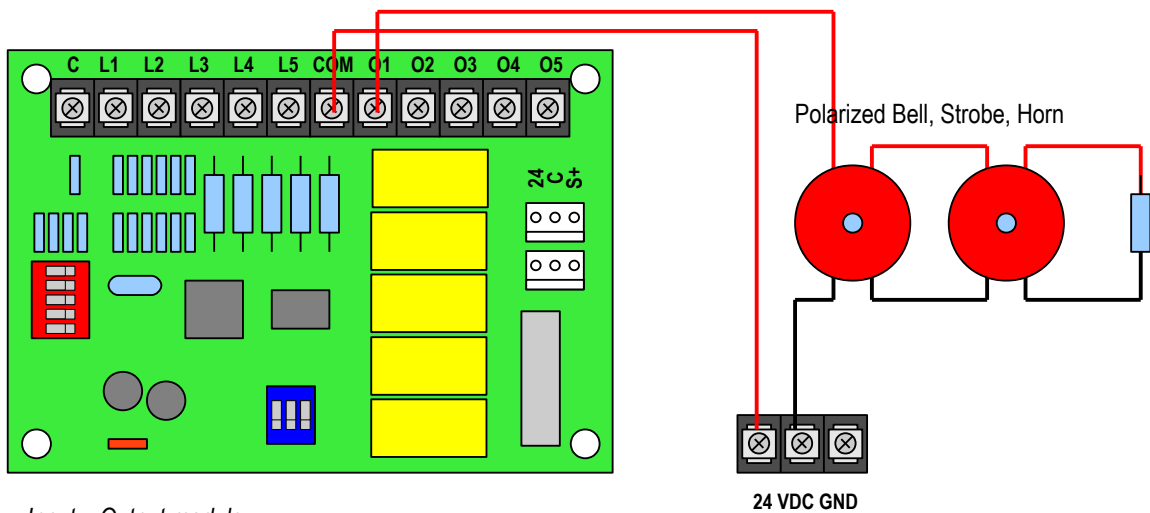
- These instructions do not purport to cover all the details or variations in the equipment described, nor provide for every possible contingency to be met in connection with installation, operation and maintenance.
- Specifications are subject to change without notice.
- Actual performance is based on proper application of the product by a qualified professional.
- Should further information be desired or should particular problems arise, which are not covered sufficiently for the purchaser's purposes, the matter should be referred to a distributor in your region.

Contact

Installation and wiring information :



Input – Output module



Input – Output module